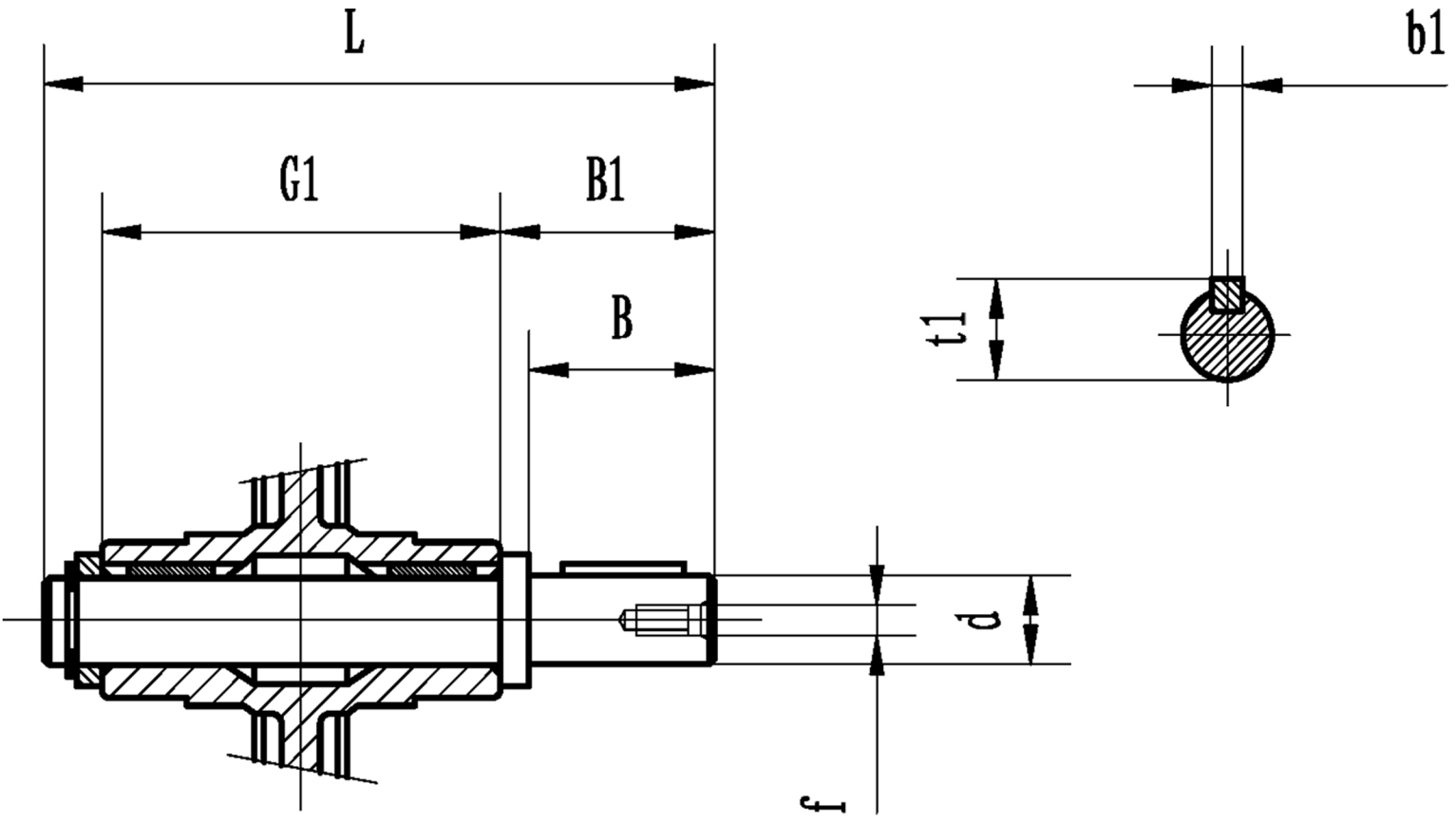


# MaxMotion



Customer is responsible in determining that MEP product will fit/perform suitably in the intended application

Version: 1HAN

Revised: 09-11-2020

SIZE	B	d	f	L	B1	b1	G1	t1
50	40	Ø15.87 <sup>-0.018</sup>	C-1/4	143	43.5	4.79N9	86	13.13 <sup>-0.1</sup>

MMR50-SS-5/8